

Overview

What's New

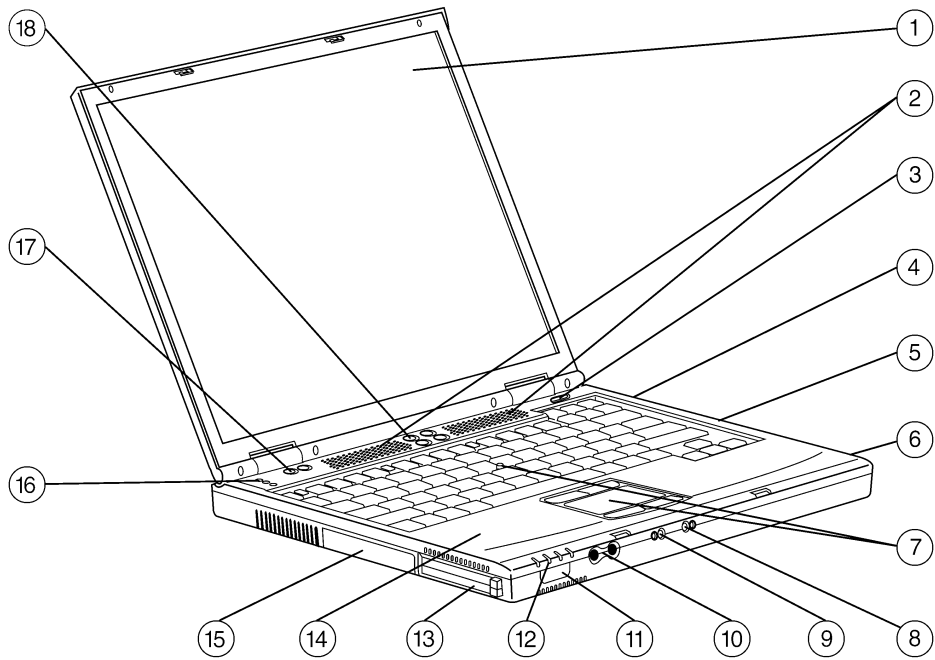
- Mobile Intel® Pentium® 4-M Processors up to 2.0 GHz.
- ATI Mobility Radeon 7500 Graphics Controller
- Common Port Replicator, Advanced Port Replicator, and External MultiBay Options
- Two USB 2.0 ports
- S-video TV out

At A Glance

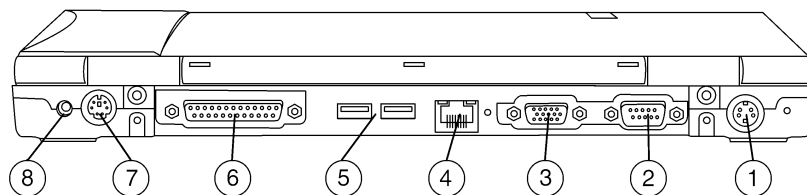
- Mobile Intel Pentium 4-M Processors at 1.6, 1.7, 1.8, 1.9, and 2.0 GHz
- ATI Mobility Radeon 7500 Graphics Controller with 32 MB of DDR video RAM.
- 14.1-inch SXGA+ or 14.1-inch XGA display
- Configurations as light as 4.8 lb/2.2 kg weight
- 1.2 in/3.048 cm thin
- 256 MB DDR RAM (266 MHz), upgradeable to 1024 MB
- Up to 40-GB SMART, user - removable hard drives.
- Integrated modem and NIC
- Full-size keyboard
- Microsoft® Windows® XP Professional or Microsoft Windows 2000
- Includes a Three-year, Worldwide Limited Warranty

What's Special

- From 4.8 lb/2.2 kg light
- 1.2 in/3.05 cm thin
- Four hours of battery life
- Dual pointing devices
- Magnesium display enclosure
- New Common Port Replicator solutions with pass-through NIC
- Integrated MultiBay
- Dual battery support
- Industry leading PC lifecycle solutions
- MultiPort integrated wireless communication options.



- | | |
|--------------------------|----------------------------------|
| 1. Color Display | 10. Volume Controls |
| 2. Stereo Speakers | 11. Infrared Port |
| 3. Power Switch | 12. System LEDs |
| 4. RJ-11 (Modem) | 13. PC Card Slots (2) |
| 5. MultiBay | 14. Memory Access Door |
| 6. Kensington Lock | 15. Hard Drive |
| 7. Dual Pointing Devices | 16. Keyboard LEDs |
| 8. Audio-In | 17. Suspend Button |
| 9. Headphone-Out | 18. Easy Access Internet Buttons |



- | | |
|---------------------|-------------|
| 1. S-Video (TV Out) | 5. USB (2) |
| 2. VGA | 6. Parallel |
| 3. Serial | 7. PS/2 |
| 4. RJ-45 (NIC) | 8. DC In |

Standard Features

Processors	2.0 GHz Mobile Intel Pentium 4 Processor-M with 512 KB L2 cache	
	1.9 GHz Mobile Intel Pentium 4 Processor-M with 512 KB L2 cache	
	1.8 GHz Mobile Intel Pentium 4 Processor-M with 512 KB L2 cache	
	1.7 GHz Mobile Intel Pentium 4 Processor-M with 512 KB L2 cache	
	1.6 GHz Mobile Intel Pentium 4 Processor-M with 512 KB L2 cache	
NOTE: Mobile Intel Pentium 4 Processors-M support enhanced Intel SpeedStep™ technology.		
Displays	14.1-inch color TFT SXGA+ with 1400 x 1050 resolution (up to 16.7M colors internal)	
	14.1-inch color TFT XGA with 1024 x 768 resolution (up to 16.7M colors internal)	
Memory	Standard	256 MB 266 MHz SDRAM (256-MB SODIMM in slot 1)
	Maximum	1024 MB 266 MHz SDRAM (512-MB SODIMM in slots 1 and 2)
NOTE: Due to the non-industry standard nature of some third-party memory modules, we recommend Compaq branded memory to ensure compatibility.		
Communications	10/100 NIC is integrated on the system board	
	Type III Mini PCI 56K (V.92) modem	
	NOTE: Designed only to allow faster downloads from V.90/V.92 compliant sources. Maximum achievable download transmission rates currently do not reach 56 KB/s, and will vary with line conditions.	
NOTE: Modem availability is subject to country regulatory approval.		
Keyboard	The 101/102-key compatible keyboard features an industry standard, full-width layout with desktop keyboard features, such as the isolated inverted-T cursor control keys, 3x2 editing keys, both left and right control and alt keys, and 12 function keys. The US layout has 84 keys and the International layout 85 keys. Other features include an integrated numeric keypad, hotkeys for instant access to power conservation, volume, brightness, and other features, 19.05 mm x 19.05 mm key pitch (center-to-center spacing), 2.5 mm stroke, comfort-dished keycaps, and bright key legends for improved visibility in low light conditions.	
Easy Access Internet Buttons	The <i>Evo</i> ™ Notebook N610c comes with four Easy Access Buttons to provide one-touch access to helpful Compaq information, favorite Internet destinations, files, or applications.	
Pointing Device	Dual pointing devices (both Pointstick and Touchpad). Also available with Pointstick only or touchpad only.	
PC Card Slots	Two Type II/One Type III PC Card Slots which support both 32-bit CardBus and 16-bit PC Cards	
Storage	Diskette Drives	Optional Diskette Drive
	Optical Drives	DVD/CD-RW Combo Drive CD-RW Drive DVD-ROM Drive CD-ROM Drive
	Hard Drives	40-GB SMART Hard Drive 30-GB SMART Hard Drive 20-GB SMART Hard Drive
NOTE: <i>Evo</i> Notebook N610c hard drives are customer removable and will withstand multiple insertion/removal cycles.		

Standard Features

Multimedia	<p>Compaq <i>Premier•Sound™</i> enhanced stereo audio system Integrated 16-bit stereo audio Integrated stereo speakers and microphone External Hardware volume controls Headphone-out Microphone in CD, DVD, CDRW, or DVD/CDRW drive Software MPEG1, MPEG2 and DVD support DVD Movie Playback Software (on DVD and DVD/CD-RW models) S-video TV-out port 4X AGP graphics 32 MB of DDR SDRAM</p>																																
Interfaces	<table border="0"> <tr><td>MultiPort</td><td>1</td></tr> <tr><td>PC Card</td><td>2 Type II/1 Type III</td></tr> <tr><td>Enhanced Parallel EPP/ECP</td><td>1 (can be used to connect external diskette drive)</td></tr> <tr><td>Serial Port</td><td>1</td></tr> <tr><td>S-video TV-out connector</td><td>1 (NTSC/PAL)</td></tr> <tr><td>External Monitor</td><td>1</td></tr> <tr><td>PS/2 External Keyboard/Pointing Device</td><td>1 Supports Y-cable to attach both Keyboard and Mouse simultaneously</td></tr> <tr><td>Docking Connector</td><td>1</td></tr> <tr><td>Headphone/Line-out</td><td>1</td></tr> <tr><td>Microphone/Line- in</td><td>1</td></tr> <tr><td>DC Power</td><td>1</td></tr> <tr><td>RJ-11 (modem)</td><td>1</td></tr> <tr><td>RJ-45 (NIC)</td><td>1</td></tr> <tr><td>Infrared Port</td><td>1 (4 Mb/s support) (IrDA 4 MB compliant. IR performance will vary depending on performance of IR peripherals and application used.)</td></tr> <tr><td>USB Port (USB 2.0)</td><td>2</td></tr> <tr><td>LED status indicators</td><td>7</td></tr> </table>	MultiPort	1	PC Card	2 Type II/1 Type III	Enhanced Parallel EPP/ECP	1 (can be used to connect external diskette drive)	Serial Port	1	S-video TV-out connector	1 (NTSC/PAL)	External Monitor	1	PS/2 External Keyboard/Pointing Device	1 Supports Y-cable to attach both Keyboard and Mouse simultaneously	Docking Connector	1	Headphone/Line-out	1	Microphone/Line- in	1	DC Power	1	RJ-11 (modem)	1	RJ-45 (NIC)	1	Infrared Port	1 (4 Mb/s support) (IrDA 4 MB compliant. IR performance will vary depending on performance of IR peripherals and application used.)	USB Port (USB 2.0)	2	LED status indicators	7
MultiPort	1																																
PC Card	2 Type II/1 Type III																																
Enhanced Parallel EPP/ECP	1 (can be used to connect external diskette drive)																																
Serial Port	1																																
S-video TV-out connector	1 (NTSC/PAL)																																
External Monitor	1																																
PS/2 External Keyboard/Pointing Device	1 Supports Y-cable to attach both Keyboard and Mouse simultaneously																																
Docking Connector	1																																
Headphone/Line-out	1																																
Microphone/Line- in	1																																
DC Power	1																																
RJ-11 (modem)	1																																
RJ-45 (NIC)	1																																
Infrared Port	1 (4 Mb/s support) (IrDA 4 MB compliant. IR performance will vary depending on performance of IR peripherals and application used.)																																
USB Port (USB 2.0)	2																																
LED status indicators	7																																
Graphics	<p>ATI Mobility Radeon 7500 4X AGP graphics controller with 32 MB DDR SDRAM</p>																																
Display (External)	<p>Up to 32-bit per pixel color depth Supports 640 x 480, 800 x 600, 1024 x 768, 1280 x 1024, 1400 x 1050, 1600 x 1200, or 2048 x 1536 resolutions up to 160-Hz refresh rate, dependent upon monitor capability, resolution and color depth settings</p>																																
Display (Internal)	<p>14.1-inch color TFT SXGA+ with 1400 x 1050 resolution (up to 16.7M colors internal) 14.1-inch color TFT XGA with 1024 x 768 resolution (up to 16.7M colors internal)</p>																																
Operating System <i>One of the following</i>	<p>Microsoft Windows XP Professional or Microsoft Windows 2000 preinstalled. NOTE: Driver support available for Microsoft Windows 98 SE and Microsoft Windows NT® 4.0.</p>																																
Software	<p>WinDVD 3.2 DVD Player (on DVD and DVD/CDRW models) Roxio Easy CD Creator 5 (on CDRW and DVD/CDRW models) Adobe Acrobat Reader Intel SpeedStep Technology Applet Altiris eXpress™ Client Win32 Synaptics Touchpad Driver Compaq Management Agents Remote Diagnostics Enabling Agent Diagnostics for Windows Compaq Health and Support Guide Compaq Info Center Guide Compaq Easy Access Button Software 32</p>																																

Standard Features

System Recovery	Each unit is shipped with a CD kit for quick recovery (erases hard disk and restores manufacturer installed image) and software recovery (installs only selected standard software)
Intelligent Manageability	Compaq Intelligent Manageability, a key component of PC Lifecycle Solutions, is the broad set of manageability features found on Compaq <i>Deskpro</i> ™ EN desktops, Armada notebooks, <i>Evo</i> Clients, Professional Workstations, and <i>iPAQ</i> ™ Deskside and <i>ProLiant</i> ™ server products. These best-in-class features on PC clients comply with industry standards, such as DMI and Wired for Management, while pioneering new ground in client manageability. Compaq introduced the industry's first line of manageable clients in 1995 and has been driving the industry ever since. With Compaq's lifecycle management philosophy, enterprises have all of the pieces for end-to-end management and proven tools for hassle-free management of PCs. The combination of these tools will significantly lower the Total Cost of Ownership of managing the computing environment. Intelligent Manageability offers solutions in the areas of Initial Configuration and Deployment, Asset Tracking and Security, Software Updating and Management, and Fault Notification and Recovery. For more information, visit these Compaq websites: http://www.compaq.com/im ; http://www.compaq.com/easydeploy ; http://www.compaq.com/solutions/pcsolutions ; NOTE: These websites are available in English only.
Security	Configuration Control Hardware Memory Change Alert Ownership Tag Set-up Password Power-On Password DriveLock Enabled for PC SmartCard options Kensington Lock
Power Supply	External 65 W AC adapter, 6-foot/1.8-meter power cord included. Total length including External AC adapter is 12 feet/3.66 meter.
Battery	The <i>Evo</i> Notebook N610c provides approximately four hours of battery life using the standard 8-cell Lithium-Ion battery. NOTE: Actual results may vary with product model, configuration, and individual usage. Results of 3:55 (hr:min) were achieved running Business Winstone 2001 BatteryMark™ Test version 1.01 on an N610c with an Intel Pentium 4-M 1.7 GHz CPU, 14.1-inch XGA panel, 256 MB RAM, 40-GB HDD, DVD, 8-cell Lithium-Ion battery, NIC/modem running Microsoft Windows XP Professional. System parameters were set as follows: panel brightness 50%, hard drive standby and video idle times set to never.
Power Conservation	Supports enhanced Intel SpeedStep Technology (allows a Battery Optimized Mode, Maximum Performance Mode, or Automatic mode) Hibernation Instant-on via Standby Pop-ups with three presets One custom level of power conservation ACPI compliant
MultiBay Devices	MultiBay devices may be swapped with the system powered (hot) under Windows 2000, or Windows XP Professional (except secondary hard drive). MultiBay devices can be swapped with system power off under any supported operating system.
MultiPort	MultiPort is a flexible, innovative solution providing customers the ability to connect to their choice of wireless standards such as 802.11b or Bluetooth™. This can be achieved by simply changing out the high-performance wireless module, which is integrated into the top of the notebook. The award-winning MultiPort offers a cost effective means to migrate to future wireless standards as they become available.
Docking	NEW! Port Replicator and Advanced Port Replicator. The sleek, new port replicator and advanced port replicator designs provide simple and convenient port management. Features include NIC pass through, USB, and a 1394 digital port. Compatible across multiple platforms for lower total cost of ownership.
Service and Support	Compaq Services includes a Three-Year, Worldwide Limited Warranty, carry-in or pick-up, upgrade to On-site Warranty or additional Two-Year Warranty available, and toll-free 7 x 24 hardware technical phone support. Certain restrictions and exclusions apply. Consult the Compaq Customer Support Center for details.

Standard Features

Naming Convention

The Etymology of a Model name:



Standard Features

	Series	N610c	N610c	N610c	N610c	N610c
	CPU	P4 1.8 GHz	P4 1.6GHz	P4 1.6GHz	P4 1.8GHz	P4 2.0GHz
	LCD	14" XGA	14" XGA	14" XGA	14" XGA	14" SXGA+
	Memory	none	256 MB	256 MB	256 MB	256 MB
	HDD	30GB	20GB	20GB	30GB	40GB
	Discrete Video Memory	32MB	32MB	32MB	32MB	32MB
	Optical/MultiBay	none	24X CD	8XDVD	8X DVD	24X DVD/CDRW
	Comm	Modem (Indy)/NIC	Modem (Indy)/NIC	Modem (Indy)/NIC	Modem (Indy)/NIC	Modem (Indy)/NIC
	Input	Dual	Dual	Dual	Dual	Dual
	Battery	8-cell 4Ah	8-cell 4Ah	8-cell 4Ah	8-cell 4Ah	8-cell 4Ah
	Warranty¹	3/3/3	3/3/0	3/3/0	3/3/0 ²	3/3/0

NOTES:

1. Warranty x/y/z = x years parts, y years labor, z years onsite service.
2. Except as otherwise noted.

AMERICAS						
U.S.						
	N610CP180X430_C_XOL	Windows 2000	470037-542			
	N610CP180X430_C_XOL	Windows XP Pro	470037-549			
	N610CP160X420VC25X2L	Windows 2000		470037-661		
	N610CP160X420VC25XOL	Windows XP Pro		470037-733		
	N610CP160X420VC25X2LN	Windows 2000-NAFTA		470037-738		
	N610CP160X420VC25XOLN	Windows XP Pro-NAFTA		470037-741		
	N610CP180X430VC25X2L	Windows 2000			470037-525	
	N610CP180X430VC25XOL	Windows XP Pro			470037-684	
	N610CP180X430VC25X2L	Windows 2000 3/3/3 Warranty			470037-720	
	N610CP180X430VC25XOL	Windows XP Pro 3/3/3 Warranty			470037-722	
	N610CP180X430VC25X2LN	Windows 2000-NAFTA			470037-724	
	N610CP180X430VC25XOLN	Windows XP Pro-NAFTA			470037-746	
	N610CP200P440WC25X2L	Windows 2000				470037-749
	N610CP200P440WC25XOL	Windows XP Pro				470037-757
Fr Canada						
	N610CP160X420VC25X2L	Windows 2000		470037-664		
	N610CP160X420VC25XOL	Windows XP Pro		470037-736		
	N610CP180X430VC25X2L	Windows 2000			470037-527	
	N610CP180X430VC25XOL	Windows XP Pro			470037-685	
	N610CP200P440WC25X2L	Windows 2000				470037-754
	N610CP200P440WC25XOL	Windows XP Pro				470037-755
Latin America						
	N610CP180X430VC25X2L	Windows 2000			470037-566	
	N610CP180X430VC25XOL	Windows XP Pro			470037-710	
	N610CP180X430VC25X2LN	Windows 2000-NAFTA			470037-726	
	N610CP180X430VC25XOLN	Windows XP Pro-NAFTA			470037-747	
Brazil						
	N610CP180X430VC25X2L	Windows 2000			470037-569	
	N610CP180X430VC25XOL	Windows XP Pro			470037-712	

Standard Features

	Series	N610c	N610c	N610c	N610c	N610c
	CPU	P4 1.8 GHz	P4 1.6GHz	P4 1.6GHz	P4 1.8GHz	P4 2.0GHz
	LCD	14" XGA	14" XGA	14" XGA	14" XGA	14" SXGA+
	Memory	none	256 MB	256 MB	256 MB	256 MB
	HDD	30GB	20GB	20GB	30GB	40GB
	Discrete Video Memory	32MB	32MB	32MB	32MB	32MB
	Optical/MultiBay	none	24X CD	8XDVD	8X DVD	24X DVD/CDRW
	Comm	Modem (Indy)/NIC	Modem (Indy)/NIC	Modem (Indy)/NIC	Modem (Indy)/NIC	Modem (Indy)/NIC
	Input	Dual	Dual	Dual	Dual	Dual
	Battery	8-cell 4Ah	8-cell 4Ah	8-cell 4Ah	8-cell 4Ah	8-cell 4Ah
	Warranty	3/3/3	3/3/0	3/3/0	3/3/0	3/3/0

EUROPE / MIDDLE EAST/ AFRICA

Arabia

	N610CP160X420DC25X2L	Windows 2000		470037-562		
	N610CP160X420DC25XOL	Windows XP Pro		470037-618		
	N610CP180X430VC25X2L	Windows 2000			470037-528	
	N610CP180X430VC25XOL	Windows XP Pro			470037-686	

Belgium

	N610CP160X420DC25X2L	Windows 2000		470037-567		
	N610CP160X420DC25XOL	Windows XP Pro		470037-619		
	N610CP180X430VC25X2L	Windows 2000			470037-529	
	N610CP180X430VC25XOL	Windows XP Pro			470037-687	

Czech Republic

	N610CP160X420DC25X2L	Windows 2000		470037-571		
	N610CP160X420DC25XOL	Windows XP Pro		470037-620		
	N610CP180X430VC25X2L	Windows 2000			470037-530	
	N610CP180X430VC25XOL	Windows XP Pro			470037-688	

Denmark

	N610CP160X420DC25X2L	Windows 2000		470037-573		
	N610CP160X420DC25XOL	Windows XP Pro		470037-621		
	N610CP180X430VC25X2L	Windows 2000			470037-531	
	N610CP180X430VC25XOL	Windows XP Pro			470037-689	

France

	N610CP160X420DC25X2L	Windows 2000		470037-578		
	N610CP160X420DC25XOL	Windows XP Pro		470037-622		
	N610CP180X430VC25X2L	Windows 2000			470037-532	
	N610CP180X430VC25XOL	Windows XP Pro			470037-690	

Germany

	N610CP160X420DC25X2L	Windows 2000		470037-581		
	N610CP160X420DC25XOL	Windows XP Pro		470037-623		
	N610CP180X430VC25X2L	Windows 2000			470037-533	
	N610CP180X430VC25XOL	Windows XP Pro			470037-691	

Standard Features

	Series	N610c	N610c	N610c	N610c	N610c
	CPU	P4 1.8 GHz	P4 1.6GHz	P4 1.6GHz	P4 1.8GHz	P4 2.0GHz
	LCD	14" XGA	14" XGA	14" XGA	14" XGA	14" SXGA+
	Memory	none	256 MB	256 MB	256 MB	256 MB
	HDD	30GB	20GB	20GB	30GB	40GB
	Discrete Video Memory	32MB	32MB	32MB	32MB	32MB
	Optical/MultiBay	none	24X CD	8XDVD	8X DVD	24X DVD/CDRW
	Comm	Modem (Indy)/NIC	Modem (Indy)/NIC	Modem (Indy)/NIC	Modem (Indy)/NIC	Modem (Indy)/NIC
	Input	Dual	Dual	Dual	Dual	Dual
	Battery	8-cell 4Ah	8-cell 4Ah	8-cell 4Ah	8-cell 4Ah	8-cell 4Ah
	Warranty	3/3/3	3/3/0	3/3/0	3/3/0	3/3/0

EUROPE / MIDDLE EAST/ AFRICA (continued)

Greece/Poland

	N610CP160X420DC25X2L	Windows 2000		470037-585		
	N610CP160X420DC25XOL	Windows XP Pro		470037-625		
	N610CP180X430VC25X2L	Windows 2000			470037-535	
	N610CP180X430VC25XOL	Windows XP Pro			470037-692	

Hungary

	N610CP160X420DC25X2L	Windows 2000		470037-586		
	N610CP160X420DC25XOL	Windows XP Pro		470037-627		
	N610CP180X430VC25X2L	Windows 2000			470037-537	
	N610CP180X430VC25XOL	Windows XP Pro			470037-693	

Israel (Hebrew)

	N610CP160X420DC25X2L	Windows 2000		470037-588		
	N610CP160X420DC25XOL	Windows XP Pro		470037-630		
	N610CP180X430VC25X2L	Windows 2000			470037-538	
	N610CP180X430VC25XOL	Windows XP Pro			470037-694	

Italy

	N610CP160X420DC25X2L	Windows 2000		470037-595		
	N610CP160X420DC25XOL	Windows XP Pro		470037-633		
	N610CP180X430VC25X2L	Windows 2000			470037-539	
	N610CP180X430VC25XOL	Windows XP Pro			470037-695	

Netherlands

	N610CP160X420DC25X2L	Windows 2000		470037-601		
	N610CP160X420DC25XOL	Windows XP Pro		470037-636		
	N610CP180X430VC25X2L	Windows 2000			470037-541	
	N610CP180X430VC25XOL	Windows XP Pro			470037-696	

Norway

	N610CP160X420DC25X2L	Windows 2000		470037-602		
	N610CP160X420DC25XOL	Windows XP Pro		470037-639		
	N610CP180X430VC25X2L	Windows 2000			470037-543	
	N610CP180X430VC25XOL	Windows XP Pro			470037-697	

Portugal

	N610CP160X420DC25X2L	Windows 2000		470037-604		
	N610CP160X420DC25XOL	Windows XP Pro		470037-641		
	N610CP180X430VC25X2L	Windows 2000			470037-545	
	N610CP180X430VC25XOL	Windows XP Pro			470037-699	

Standard Features

	Series	N610c	N610c	N610c	N610c	N610c
	CPU	P4 1.8 GHz	P4 1.6GHz	P4 1.6GHz	P4 1.8GHz	P4 2.0GHz
	LCD	14" XGA	14" XGA	14" XGA	14" XGA	14" SXGA+
	Memory	none	256 MB	256 MB	256 MB	256 MB
	HDD	30GB	20GB	20GB	30GB	40GB
	Discrete Video Memory	32MB	32MB	32MB	32MB	32MB
	Optical/MultiBay	none	24X CD	8XDVD	8X DVD	24X DVD/CDRW
	Comm	Modem (Indy)/NIC	Modem (Indy)/NIC	Modem (Indy)/NIC	Modem (Indy)/NIC	Modem (Indy)/NIC
	Input	Dual	Dual	Dual	Dual	Dual
	Battery	8-cell 4Ah	8-cell 4Ah	8-cell 4Ah	8-cell 4Ah	8-cell 4Ah
	Warranty	3/3/3	3/3/0	3/3/0	3/3/0	3/3/0

EUROPE / MIDDLE EAST/ AFRICA (continued)

Russian

	N610CP160X420DC25X2L	Windows 2000		470037-605		
	N610CP160X420DC25XOL	Windows XP Pro		470037-644		
	N610CP180X430VC25X2L	Windows 2000			470037-546	
	N610CP180X430VC25XOL	Windows XP Pro			470037-700	

Slovenia

	N610CP160X420DC25X2L	Windows 2000		470037-606		
	N610CP160X420DC25XOL	Windows XP Pro		470037-646		
	N610CP180X430VC25X2L	Windows 2000			470037-548	
	N610CP180X430VC25XOL	Windows XP Pro			470037-701	

Spain

	N610CP160X420DC25X2L	Windows 2000		470037-607		
	N610CP160X420DC25XOL	Windows XP Pro		470037-648		
	N610CP180X430VC25X2L	Windows 2000			470037-551	
	N610CP180X430VC25XOL	Windows XP Pro			470037-702	

Sweden/Finland

	N610CP160X420DC25X2L	Windows 2000		470037-608		
	N610CP160X420DC25XOL	Windows XP Pro		470037-650		
	N610CP180X430VC25X2L	Windows 2000			470037-552	
	N610CP180X430VC25XOL	Windows XP Pro			470037-703	

Switzerland (GR/FR/IT)

	N610CP160X420DC25X2L	Windows 2000		470037-613		
	N610CP160X420DC25XOL	Windows XP Pro		470037-653		
	N610CP180X430VC25X2L	Windows 2000			470037-555	
	N610CP180X430VC25XOL	Windows XP Pro			470037-704	

Turkey

	N610CP160X420DC25X2L	Windows 2000		470037-616		
	N610CP160X420DC25XOL	Windows XP Pro		470037-656		
	N610CP180X430VC25X2L	Windows 2000			470037-556	
	N610CP180X430VC25XOL	Windows XP Pro			470037-705	

UK

	N610CP160X420DC25X2L	Windows 2000		470037-617		
	N610CP160X420DC25XOL	Windows XP Pro		470037-658		
	N610CP180X430VC25X2L	Windows 2000			470037-558	
	N610CP180X430VC25XOL	Windows XP Pro			470037-706	

Standard Features

			Series	N610c	N610c	N610c	N610c	N610c
			CPU	P4 1.8 GHz	P4 1.6GHz	P4 1.6GHz	P4 1.8GHz	P4 2.0GHz
			LCD	14" XGA	14" XGA	14" XGA	14" XGA	14" SXGA+
			Memory	none	256 MB	256 MB	256 MB	256 MB
			HDD	30GB	20GB	20GB	30GB	40GB
			Discrete Video Memory	32MB	32MB	32MB	32MB	32MB
			Optical/MultiBay	none	24X CD	8XDVD	8X DVD	24X DVD/CDRW
			Comm	Modem (Indy)/NIC	Modem (Indy)/NIC	Modem (Indy)/NIC	Modem (Indy)/NIC	Modem (Indy)/NIC
			Input	Dual	Dual	Dual	Dual	Dual
			Battery	8-cell 4Ah	8-cell 4Ah	8-cell 4Ah	8-cell 4Ah	8-cell 4Ah
			Warranty	3/3/3	3/3/0	3/3/0	3/3/0	3/3/0
APD								
Japan								
	N610CP180X430VC25X2L	Windows 2000					470037-561	
	N610CP180X430VC25XOL	Windows XP Pro					470037-707	
Japan (English)								
	N610CP180X430VC25X2L	Windows 2000					470037-563	
	N610CP180X430VC25XOL	Windows XP Pro					470037-708	
Australia								
	N610CP180X430VC25X2L	Windows 2000					470037-570	
	N610CP180X430VC25XOL	Windows XP Pro					470037-713	
Asia Pacific								
	N610CP180X430VC25X2L	Windows 2000					470037-572	
	N610CP180X430VC25XOL	Windows XP Pro					470037-714	
PRC Chinese								
	N610CP180X430VC25X2L	Windows 2000					470037-577	
	N610CP180X430VC25XOL	Windows XP Pro					470037-709	
Taiwan								
	N610CP180X430VC25X2L	Windows 2000					470037-580	
	N610CP180X430VC25XOL	Windows XP Pro					470037-715	
Hong Kong								
	N610CP180X430VC25X2L	Windows 2000					470037-584	
	N610CP180X430VC25XOL	Windows XP Pro					470037-717	
Korea								
	N610CP180X430VC25X2L	Windows 2000					470037-587	
	N610CP180X430VC25XOL	Windows XP Pro					470037-718	

Options

Memory	512-MB (266 MHz) Memory Upgrade	269087-B25
	256-MB (266 MHz) Memory Upgrade	269086-B25
	128-MB (266 MHz) Memory Upgrade	269085-B25
Monitors	TFT8030 Flat Panel Color 18-inch (carbon/silver)	243362-xxx
	TFT7020 Flat Panel Color 17-inch with integrated speakers (carbon/silver)	253217-xxx
	TFT5015 Flat Panel Color 15-inch (carbon/silver)	234044-xxx
	TFT5030 Flat Panel Color 15-inch (carbon/silver)	228134-xxx
	V720 17-inch CRT (carbon/silver)	232944-001
	S720 17-inch CRT (carbon/silver)	239287-001
	V570 15-inch CRT (carbon/silver)	228113-001
MultiBay Hard Drives	60-GB SMART Hard Drive	278420-B25
	40-GB SMART Hard Drive	263472-B25
	30-GB SMART Hard Drive	212791-B25
MultiBay Storage Devices	24X Combo DVD/CD-RW	269089-B25
	8X Combo DVD/CD-RW	260472-B25
	16X CD-RW	269088-B25
	8X DVD Drive	138230-B25
	24X Max CD-ROM	298452-B25
	Diskette Drive	226935-B25
Other Storage Devices	IBM® 1-GB Microdrive™ (PC card Device)	217390-B25
	USB Disk-on-Key – 8 MB	249552-B25
	USB Diskette drive	230330-B25
Connectivity	Compaq Type III Mini PCI 56K (V.92) Modem	225640-B31
	1394 PC Card	177593-B25
<p>NOTE: Designed only to allow faster downloads from V.90 compliant sources. Maximum achievable download transmission rates currently do not reach 56 KB/s, and will vary with line conditions.</p>		
Wireless Connectivity	802.11b MultiPort Wireless LAN module	233412-xx1
	Bluetooth MultiPort module	228057-B21
	Compaq WL110 Wireless LAN PC Card	191808-B21
	Compaq WL510 Wireless Enterprise Access Point	216709-001
	Compaq WL410 Wireless SMB Access Point	191811-001
	Compaq WL310 Home Office Access Point	191813-001
	Compaq Range Extender Antenna	230268-B21

Options

Expansion Bases	Port Replicator	269095-xx1
	Advanced Port Replicator	269094-xx1
	External MultiBay	217388-001/B31
	Advanced Port Replicator Monitor Stand	274407-B25
Power	8-cell primary battery	250848-B25
Common Power Solutions	MultiBay Battery (8-cell)	265650-B25
	External Battery Charger	135555-xxx
	AC Adapter 65W	265602-xxx
	Auto Power Adapter/Charger	265649-B25
	Aircraft Power Adapter	386504-B21
	AC Line Cord (10 ft/3.1 m)	217932-xx2
Input Devices	External Enhanced III Keyboard (carbon)	118003-008
	Compaq 2 Button Mouse (carbon)	103180-B21
	USB 2 Button Scroll Mouse (carbon)	195255-B25
	External 10-Key Numeric Keypad (carbon)	294317-B21
	USB EZ Access Keyboard	222726-xxx
	Wireless Keyboard and Mouse	251385-xx8
Security	Biometric PC Card	146805-B25
	Security Cable Lock	294316-B21
	Compaq Smart Card PC Card Reader	135646-B25
Useful Accessories	Parallel port cable for diskette drive	226748-B21
	MP1400 Microportable Projector	174626-xx1
	MP1800 Microportable Projector	180226-xx1
	MP2800 Microportable Projector	180228-xx1
	Multimedia Adapter & Remote Kit (comes with the MP1800)	174963-001
	MP1600 Video Adapter	116298-001
	MP1600 Lamp replacement kit	118052-001
	MP1800/1400 Lamp replacement kit	189789-001
	MP2800 Lamp replacement kit	215464-001
Carrying Cases	Compaq Ultralight Case (nylon)	167336-B21
	Compaq Ultralight Case (leather)	242359-B25
	Compaq Plus Case	242360-B25
	Compaq Professional Case (nylon)	242361-B25
	Compaq Professional Case (leather)	242362-B25

Memory

Compaq *Evo* N610C

STANDARD MEMORY PLUS OPTIONAL MEMORY

Support for up to 1024 MB of SDRAM memory is available with the installation of optional SDRAM Memory Kits.

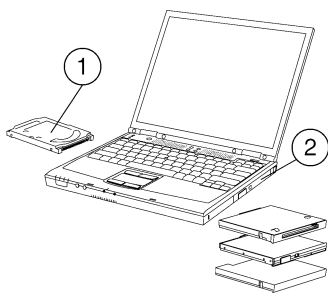
Memory	Slot 1	Slot 2
128 MB	128 MB	--
256 MB	128 MB	128 MB
256 MB	256 MB	--
384 MB	256 MB	128 MB
512 MB	512 MB	--
768 MB	512 MB	256 MB
1024 MB	512 MB	512 MB

NOTE: This chart does not represent all possible memory configurations. Due to the non-industry standard nature of some third-party memory modules, we strongly recommend using only Compaq branded memory modules to ensure compatibility.

Following are memory options available from Compaq:

• 512-MB (266 MHz) Memory Upgrade	269087-B25
• 256-MB (266 MHz) Memory Upgrade	269086-B25
• 128-MB (266 MHz) Memory Upgrade	269085-B25

Storage



1. Primary Hard drive
2. MultiBay

DRIVE SUPPORT

System Drive Support	Quantity Supported	Drive Bay Supported
Removable Media		
1.44-MB Diskette Drive	1	MultiBay or parallel port cable
DVD/CD-RW Combo Drive	1	MultiBay
CD-RW Drive	1	MultiBay
DVD-ROM Drive	1	MultiBay
Max CD-ROM Drive	1	MultiBay
NOTE: Multibay support includes the integrated MultiBay, the External MultiBay, and the Advanced Port Replicator MultiBay unless otherwise noted.		
Hard Drives		
40-GB SMART Hard Drive	2	Dedicated hard drive bay and/or MultiBay
30-GB SMART Hard Drive	2	Dedicated hard drive bay and/or MultiBay
20-GB SMART Hard Drive	2	Dedicated hard drive bay and/or MultiBay

Technical Specifications

System Unit	Dimensions* (H x W x D)	14.1-inch TFT panel display	1.2 x 12.1 x 9.8 in/3.1 x 30.7 x 25.0 cm
	Weight*	14.1-inch LCD, 1 SODIMM	4.8 lb/2.1 kg minimum (with weight saver) 5.5 lb/2.45 kg typical (with MultiBay drive)
		14.1-inch LCD, CD-RW, DVD or CD-ROM, 1 SODIMM	5.5 lb/2.5 kg *
NOTE: * = Height varies depending upon where on the notebook the measurement is made. Weight varies by configuration and components.			
Stand-Alone Power Requirements	Nominal Operating Voltage (Li-Ion)	14.4V	(8-cell)
	Average Operating Power	14.4W	
	Peak Operating Power	55W	
	Power in suspend mode	< 400 mW	
	Power in hibernation mode	< 60 mW	
Power Supply	Rated Input Voltage	90 to 264 VAC	(auto-switching)
	Rated Input Current	1.6A	
	Rated Frequency	47 to 63 Hz	
Temperature	Operating	50° to 95°F/10° to 35°C	
	Non-operating	-4° to 140°F/-20° to 60°C	
Relative Humidity	Operating	10% to 90% relative humidity,	non-condensing
	Non-operating	5% to 95% relative humidity,	101.6°F/38.7°C Maximum wetbulb temperature
Shock	Operating	10 G, 11 ms,	half-sine
	Non-operating	60 G, 11 ms,	half-sine
Vibration	Operating	0.5 G zero-to-peak,	10 to 500 Hz, 0.25 oct/min sweep rate
	Non-operating	1.0 G, zero-to-peak,	10 to 500 Hz, 0.5 oct/min sweep rate
Maximum Altitude (unpressurized)	Operating	0 to 10,000 ft/0 to 3,048 m	
	Non-operating	0 to 30,000 ft/0 to 9,144 m	
Heat output	Operating (maximum)	65 W	
Industry Standards & Certifications	EnergyStar Compliant	Yes	
	ACPI	2.0	(sections applicable to notebooks)
	DirectX	8.1	
	DMI/SMBIOS	Ver. 2.3.1	
	Microsoft WHQL Certification	Yes	(for preinstalled OS's)
	PCxx	PC 2001	
	PXE	PXE 2.1	
	ISO Certifications	Yes	
	WBEM	Supported	(required for WFM)
	WFM	2.0	
	RPL	2.73	
	OnNow	Yes	
	PCI	2.1	
	Plug & Play	Yes	(support may vary by OS)

Technical Specifications

14.1-inch Color TFT SXGA+ Display	Dimensions (H x W)	11.22 x 8.46 in/28.5 x 21.5 cm		
	Diagonal Size	14.1 in/35.81 cm		
	Mounting	Internal Panel Supports, Side Mounted		
	Number of Colors	Up to 16.8M		
	Contrast Ratio	150:1		
	Brightness	150 nits typical		
	Pixel Resolution	Pitch	0.204 x 0.204 mm	
		Format	1400 x 1050	
		Configuration	RGB stripe	
	Backlight	Edge Lit		
	Character Display	80 x 25		
	Total Power Consumption	5.1W		
	Viewing Angle	+15°/-30° Vertical, ± 40° Horizontal		

14.1-inch Color TFT XGA Display	Dimensions (H x W)	11.22 x 8.46 in/28.5 x 21.5 cm		
	Diagonal Size	14.1 in/35.81 cm		
	Mounting	Internal Panel Supports, Side Mounted		
	Number of Colors	Up to 16.8M		
	Contrast Ratio	150:1		
	Brightness	150 nits typical		
	Pixel Resolution	Pitch	0.264 x 0.264 mm	
		Format	1024 x 768	
		Configuration	RGB stripe	
	Backlight	Edge Lit		
	Character Display	80 x 25		
	Total Power Consumption	4.2W		
	Viewing Angle	+15°/-30° Vertical, ± 40° Horizontal		

Technical Specifications

Hard Drives

40-GB

MultiBay Drive Adapter	Dimensions (H x W x D)	1.27 x 13.25 x 12.61 cm (0.5 x 5.21 x 4.97 in)
	Weight	0.15 lb/70 g
Drive Weight	0.21 lb/95 g	
Capacity	40 GB	
Height	0.74 in / 9.5 mm	
Width	2.75 in / 70 mm	
Interface	ATA-5	
Transfer Rate	Synchronous (maximum)	100 MB/s (Drive Capability)
	Security	ATA Security
Seek Time (typical reads, including settling)	Single Track	3.0 ms
	Average	13 ms
	Maximum	25 ms
Rotational Speed	4200 rpm	
Logical Blocks	78,140,160	
Operating Temperature	41° to 131°F/5° to 55°C	
Features	Security	ATA Security

30-GB

MultiBay Drive Adapter	Dimensions (H x W x D)	0.5 x 5.21 x 4.97 in/1.27 x 13.25 x 12.61 cm
	Weight	0.15 lb/70 g
Drive Weight	0.22 lb/99 g	
Capacity	30 GB	
Height	0.74 in / 9.5 mm	
Width	2.75 in / 70 mm	
Interface	ATA-5	
Transfer Rate	Synchronous (maximum)	100 MB/s (Drive Capability)
	Security	ATA Security
Seek Time (typical reads, including settling)	Single Track	2.5 ms
	Average	12 ms
	Maximum	23 ms
Rotational Speed	4200 rpm	
Logical Blocks	58,605,120	
Operating Temperature	41° to 131°F/5° to 55°C	

Technical Specifications

Hard Drives *(continued)*

20-GB

MultiBay Drive Adapter	Dimensions (H x W x D)	0.5 x 5.21 x 4.97 in/1.27 x 13.25 x 12.61 cm
	Weight	0.15 lb/70 g
Drive Weight	0.21 lb/95 g	
Capacity	20 GB	
Height	0.74 in / 9.5 mm	
Width	2.75 in / 70 mm	
Interface	ATA-5	
Transfer Rate	Synchronous (maximum)	100 MB/s (Drive Capability)
	Security	ATA Security
Seek Time (typical reads, including settling)	Single Track	2.5 ms
	Average	12 ms
	Maximum	23 ms
Rotational Speed	4200 rpm	
Logical Blocks	~ 39,070,080	
Operating Temperature	41° to 131°F/5° to 55°C	

Diskette Drive

MultiBay Drive	Dimensions (H x W x D)	0.5 x 5.21 x 4.97 in/1.27 x 13.25 x 12.61 cm
	Weight	0.51 lb/230 g
Diskette Size	3.5 in	
Activity Indicator	On system	
Height	12.7 mm	
Bytes per Sector	512	
Sectors per track	High density	18 (1.44 MB)/15 (1.2 MB)
	Low density	9
Tracks per side	High density	80 (1.44 MB)/80 (1.2 MB)
	Low density	80
Read/Write heads	2	
Access Times	Track-to track (high/low)	3 ms/6 ms
	Average (high/low)	94 ms/174 ms
	Settling time	15 ms
	Latency average	100 ms

Technical Specifications

External AC Adapter	Weight	0.65 lb/0.29 kg (adapter)
		0.29 lb/0.13 kg (power cord)
Power Supply (Input)	Operating Voltage	90 to 264 VAC RMS
	Operating Current	1.6 A RMS
	Operating Frequency Range	47 to 63 Hz AC
	Maximum Transient	4/50 kV

Primary Lithium-Ion Battery Pack (8-cell) <i>Internal</i>	Dimensions (L x W x D)	4.95 x 3.46 x 0.80 in/12.58 x 8.8 x 2 cm	
	Weight	0.88 lb/0.40 kg	
Energy	Voltage	14.4 V	
	Amp-hour capacity	4.0 Ah	
	Watt-hour capacity	57.6 Ah	
Temperature	Operating	32° to 108°F/0° to 42°C	
	Non-operating	32° to 140°F/0° to 60°C	
Battery Re-Charge Time	System in OFF mode or Standby	2 hours	
	System ON (depending of system power consumption)	2 to 5 hours	
Lifecycle	80% capacity after 300 full charge/discharge cycles, or 600 half discharge followed by a full charge cycles.		

MultiBay Lithium-Ion Battery Pack (8-cell)	Dimensions (H x W x D)	0.5 x 5.21 x 4.97 in/1.27 x 13.25 x 12.61 cm	
	Weight	1.03 lb/0.47 kg	
Energy	Voltage	14.4 V	
	Amp-hour capacity	3.2 Ah	
	Watt-hour capacity	47.4 Wh	
Temperature	Operating	32° to 122°F/0° to 50°C	
	Non-operating	32° to 140°F/0° to 60°C	
Battery Re-Charge Time	System in OFF mode or Standby	2 hours	
	System ON	2 to 5 hours	
Lifecycle	80% capacity after 300 full charge/discharge cycles, or 600 half discharge followed by a full charge cycles.		

Technical Specifications

8X DVD/CD-RW Combo Drive	MultiBay Drive	Dimensions (H x W x D)	0.5 x 5.21 x 4.97 in/1.27 x 13.25 x 12.61 cm
		Weight	0.74 lb/0.34 kg
	Center Hole Diameter	0.59 in/1.5 cm	
	Disk Diameter	12 cm/8 cm	
	Disk Thickness	0.047 in/1.2 mm	
	Track Pitch	0.74 μ m	
	Access Times (typical reads, including settling)	Random	< 150 ms
		Full-Stroke	< 225 ms
	Audio Output Level	Line-out	0.7 Vrms
	Cache Buffer	128 KB/s (minimum)	
	Data Transfer Rate (typical, including settling)	CD-R (8X)	1200 KB/s (150 KB/s at 1X CD rate)
		CD-RW (8X)	1200 KB/s (150 KB/s at 1X CD rate)
		CD-ROM (24X)	3600 KB/s (150 KB/s at 1X CD rate)
		DVD (8X)	10,800 KB/s (1352 KB/s at 1X DVD rate)
		Normal PIO Mode 4 (single burst)	16.6 MB/s
Start-up Time	< 15 seconds		
Stop Time	< 6 seconds		

24X DVD/CD-RW Combo Drive	MultiBay Drive	Dimensions (H x W x D)	0.5 x 5.21 x 4.97 in/1.27 x 13.25 x 12.61 cm
		Weight	0.74 lb/0.33 kg
	Center Hole Diameter	39 cm	
	Disk Diameter	12 cm/8 cm	
	Disk Thickness	1.2 mm	
	Track Pitch	0.74 μ m	
	Access Times (typical reads, including settling)	Random CD	< 150 ms
		Full-Stroke CD	< 225 ms
	Audio Output Level	Line-out	0.7 Vrms
	Cache Buffer	128 KB/s (minimum)	
	Data Transfer Rate (typical, including settling)	CD-R (24X)	3600 KB/s (150 KB/s at 1X CD rate)
		CD-RW (10X)	1500 KB/s (150 KB/s at 1X CD rate)
		CD-ROM (24X)	3600 KB/s (150 KB/s at 1X CD rate)
		DVD (8X)	10,800 KB/s (1352 KB/s at 1X DVD rate)
		Normal PIO Mode 4 (single burst)	16.6 MB/s
Start-up Time	< 15 seconds		
Stop Time	< 6 seconds		

Technical Specifications

16X CD-RW Drive	MultiBay Drive	Dimensions (H x W x D)	1.27 x 13.25 x 12.61 cm (0.5 x 5.21 x 4.97 in)
		Weight	0.74 lb/0.33 kg
	Center Hole Diameter	1.5 cm	
	Disk Diameter	12 cm/8 cm	
	Disk Thickness	1.2 mm	
	Track Pitch	0.74 μ m	
	Access Times (typical reads, including settling)	Random	< 150 ms
		Full-Stroke	< 225 ms
	Audio Output Level	Line-out	0.7 Vrms
	Cache Buffer	128 KB/s (minimum)	
	Data Transfer Rate (typical, including settling)	CD-R (16X)	2400 KB/s
		CD-RW (8X)	1200 KB/s
		CD-ROM (24X)	3600 KB/s
		Normal PIO Mode 4 (single burst)	16.6 MB/s
	Start-up Time	< 15 seconds	
Stop Time	< 6 seconds		

8X DVD-ROM Drive	MultiBay Drive	Dimensions (H x W x D)	0.5 x 5.21 x 4.97 in/1.27 x 13.25 x 12.61 cm
		Weight	0.66 lb/0.3 kg
	Center Hole Diameter	1.5 cm	
	Disc Diameter	12 cm/8 cm	
	Disc Thickness	1.2 mm	
	Track Pitch	0.74 μ m	
	Access Times (typical reads, including settling)	Random (typical)	< 150 ms DVD Media
		Full-Stroke (typical)	< 225 ms DVD Media
		Random (typical)	< 110 ms CD Media
		Full-Stroke (typical)	< 200 ms CD Media
	Cache Buffer	512 KB/s (minimum)	
	Data Transfer Rate (typical, including settling)	Max 24X CD	3600 KB/s (150 KB/s at 1X CD rate)
		Max 8X DVD	10,800 KB/s (1352 KB/s at 1X DVD rate)
		Normal PIO Mode 4 (single burst)	16.6 MB/s
	Start-up Time	< 10 seconds	Single Session CD-ROM
Stop Time	< 3 seconds		

Technical Specifications

24X CD-ROM Drive	MultiBay Drive	Dimensions (H x W x D)	0.5 x 5.21 x 4.97 in/1.27 x 13.25 x 12.61 cm
		Weight	0.50 lb/0.22 kg
	Applicable Disk	CD-ROM (Mode 1, 2 and 3), CD-XA ready (Mode 2, Form 1 and 2), CD-I ready (Mode 2, Form 1 and 2), CD-R (read only), CD Plus, Photo CD (Single and Multi-session), CD-Extra, Video CD, CD-WO (fixed packets only), CD-Bridge	
	Center Hole Diameter	15 mm	
	Disk Diameter	12 cm/8 cm	
	Disk Thickness	1.2 mm	
	Track Pitch	1.6 µm	
	Access Times (typical reads, including settling)	Random	< 150 ms
		Full-Stroke	< 300 ms
	Audio Output Level	Line-out	0.7 Vrms
	Cache Buffer	128 KB	
	Data Transfer Rate (typical, including settling)	Sustained (16X)	2400 KB/s
		Variable	1500 to 3600 KB/s (10X to 24X)
		Normal PIO Mode 4 (single burst)	16.66 MB/s
	Start-up Time	< 8 seconds	
Stop Time	< 4 seconds		

MultiBay Diskette Drive	MultiBay Drive	Dimensions (H x W x D)	0.5 x 5.21 x 4.97 in/1.27 x 13.25 x 12.61 cm
		Weight	0.51 lb/230 g
	Diskette Size	3.5in	
	Height	12.7mm	
	Bytes per Sector	512	
	Sectors per track	High density	18 (1.44 MB)/15 (1.2 MB)
		Low density	9
	Tracks per side	High density	80 (1.44 MB)/80 (1.2 MB)
		Low density	80
	Read/Write heads	2	
	Access Times	Track-to track (high/low)	3 ms/6 ms
		Average (high/low)	94 ms/174 ms
		Settling time	15 ms
		Latency average	100 ms

Technical Specifications

802.11b MultiPort Module	Form Factor	Compaq "MultiPort"	
	Weight	0.22 lb/100 g (maximum)	
	Operating Temperature	14° to 149°F/-10° to 65°C, operating	
	Storage Temperature	-40° to 176°F/-40° to 80°C, non-operating	
	Humidity	Operating	10 to 90%
		Non operating	5 to 95%
	Altitude	Operating	15,000 ft/4,572 m
		Non operating	40,000 ft/12,192 m
	Plug and Play	USB 1.1 compliant	
		Windows Plug and Play compliant	
	RF Network Standard	IEEE 802 Part 11b (802.11b)	
	Frequency Band	2,4000 to 2.4835 GHz	
		2,4465 to 2.4835 GHz (France)	
		2,4000 to 2,4697 GHz (Japan)	
	Number of Selectable Sub-channels	Worldwide Certification	
		United States (FCC)	11
		France (FR)	4
		Japan (JP)	14
		Other countries	13
	Data Rates	1, 2, 5.5, 11 Mbps	
	Antenna type	Internally integrated within module (with special polarization diversity)	
WEP Security	64-bit encryption keys compliant to IEEE 802.11		
	128-bit encryption key compliant to IEEE 802.11		
	Ability to enter keys manually or via pass-phrase		
Network Architecture Models	Ad-hoc (Peer to Peer)		
	Infrastructure (Access Points Required)		
Modulation Technique	Direct Sequence Spread Spectrum DBPSK, DQPSK, CCK		
Receiver Sensitivity – Bit Error Rate (1E-5)	11 Mbps: -85 dBm		
	5.5 Mbps: -87 dBm		
	2 Mbps: -91 dBm		
	1 Mbps: -94 dBm		

Technical Specifications

802.11b MultiPort Module <i>(continued)</i>	Maximum Receive Level	-4 dBm
	Output Power (approximately)	18 dBm
	Operating Voltage	5V power operation
	Power Management	Keystroke Fn+F2 Power On/Off control
	Power Consumption	Transfer mode: < 600 mA, maximum
		Receive mode: < 400 mA, maximum
		Standby Mode: 1 mA, maximum
	Transmit Power	10 to 100mW
		It is preferable to have the user configurable output power to save battery life for laptop users or in high AP coverage areas.
	Power Saving Option	802.11 Compliant Power Saving
		Power Saving Mode selectable through the configuration utility
		ACPI compliant power management
	Media Access Protocol	CSMA/CA (Collision Avoidance) with ACK
	OS Support	Microsoft Windows XP Professional and Home Editions
Microsoft Windows 98/98SE		
Microsoft Windows 2000		
Microsoft Windows Millennium		
Protocols Supported	TCP/IP	
	IPX/SPX	
	UDP	
LED Activity	Flashing LED – AP Search Mode	
	Solid LED – On	
	LED Off – Power Off	

Throughput, Data Rate and Operating Distance	Throughput	Data Rate	Operating Distance
> 4.5 Mbps		11 Mbps	1000 feet – Open sight
			100 feet – Closed space (Steel Space)
> 2 Mbps		5.5 Mbps	1100 feet – Open sight
			200 feet – Closed space (Steel Space)
> 700 Kbps		1 Mbps	1200 feet – Open sight
			300 feet – Closed space (Steel Space)

Technical Specifications

Bluetooth MultiPort Module	Form Factor	Compaq "MultiPort"	
	Bluetooth	1.1 Compliant	
	Dimensions	2.2 x 6.6 x 0.55 in/5.6 x 16.7 x 1.4 cm	
	Weight	0.22 lb/100 g (maximum)	
	Temperature	Operating	50° to 104°F/10° to 40°C
		Non-operating	-4° to 140°F/-20° to 60°C
	Humidity	Operating	10 to 90%
		Non-operating	5 to 95%
	Altitude	Operating	0 to 10,000 ft/0 to 3,048 m
		Non-operating	0 to 30,000 ft/0 to 9,144 m
	Plug and Play	USB 1.1 compliant	
		Windows Plug and Play compliant	
	Frequency Band	2,4000 to 2.4835 GHz	
	Number of Available Channels	79 (1 MHz) available channels	
	Data Rates and throughput	1 Mbps	
		Synchronous Connection Oriented links	up to 3, 64 kbps, voice channels
Asynchronous Connection Less links		723.2 kbps/57.6 kbps asymmetric or 433.9 kbps symmetric	
Antenna type	Internally integrated within module (with special polarization diversity)		
Range	328 ft/100 m		
Profile Support	General Access Profile		
	Service Discovery Application Profile		
	Serial Port Profile		
	Generic Object Exchange Profile		
	File Transfer Profile		
	Synchronization Profile		
	Dial-Up Networking Profile		
	LAN Access Profile		
Object Push Profile			

Technical Specifications

Bluetooth MultiPort Module <i>(continued)</i>	Usage Models	Service Discovery (determine what Bluetooth devices are within range and support authorization)
		Synchronization:
		PDAs to PCs
		Portable to Desktop
		File Transfer:
		File and directory browsing and navigation on another Bluetooth device
		File copying
		Object manipulation – including add, delete, create new folders etc.
		Wireless link to Corporate LAN using several Bluetooth devices sharing the same
		Access Point:
		Corporate email, network neighborhood, access to LAN applications, file transfer, ftp, Internet browsing, etc, using TCP/IP
		Wireless link to WAN through cell phone
		GSM/SMS, PCS, PHS, DECT, RAM, ARDIS, CDPD, etc.
		Agnostic to WAN technology
		Send/receive SMS messages
		Wireless link to Printer
		Adhoc peer to peer networking (two computers) or Personal Area Networking (PAN) using NDIS (< 7 computers)
		Adhoc Bluetooth Pico-networking (point to multi-point)
		Object Push – Business card or appointment exchange
Transmit Power	< 20 dBm (Bluetooth Class 1)	
Receive Sensitivity	Better than 70 dBm at 0.1% raw bit error rate	
Link Topology	Point to Point, Multipoint Pico Nets up to 7 slaves	
Security	Full support of Bluetooth Security Provisions	
Network Architecture Models	Ad-hoc (Peer to Peer) Infrastructure (Access Points Required)	
Power Requirement	Peak	< 1500 mW
		Average
		< 500 mW
		Standby
		< 250 mW
Power Management	Windows ACPI, and USB Bus Support	
		Keystrokes Fn+F2 Power On/Off control
		Self configurable to optimize power conservation in all operating modes, including Standby, Hold, Park, and Sniff
OS Support	Microsoft Windows XP Professional and Home Editions	
		Microsoft Windows 98/98SE
		Microsoft Windows 2000
		Microsoft Windows Millennium

Technical Specifications

Bluetooth MultiPort Module <i>(continued)</i>	Protocols Supported	TCP/IP	
		IPX/SPX	
		UDP	
	LED Activity	Solid Blue LED – On	
		LED Off – Power Off	
Certifications		All necessary regulatory approvals for countries we support including	
		FCC (47 CFR) Part 15C, Section 15.247 & 15.249	
		ETS 300 328, ETS 300 826	
		Low Voltage Directive IEC950	
		UL, CSA, and CE Mark	
Type III Mini PCI 56K (V.92) Modem	Form Factor	Mini-PCI Type III per Specification	
	OS Support (with all released Service Packs)	Microsoft Windows XP Professional and Home Editions, Microsoft Windows 98 (Gold, SE), Windows NT 4.0, Windows 2000, Windows Millennium Edition, DOS Application Support under Windows	
	Power Management Support	APM Revision 1.2, ACPI, Compaq Power Management Extensions for Windows NT (supports Wake-on-ring)	
	Approvals/Certifications	UL, CSA, NEMKO, CCIB, Industry Canada, FCC Part 68, CTR21, FCC Part 15 Class B, Canadian ICES-003 Class B, C.I.S.P.R.22, Australian ACA, CE Mark, Other Countries	
	Modem Device Driver Name	Lucent Win Modem	
	Data Mode Capabilities		V.90, V.92 (a-law, mu-law)
			V.8bis
			V.80
			V.44, V42.bis, MNP5 (Compression)
			V.42 (LAPM, MNP2-4) (Error Correction)
		V.34 (file date: 10/96)	
		Optional symbol rates: 2800, 3429 Asymmetric Symbol rates	
		Synchronous primary channel data signaling rates: 3600, 31200	
		Automatic rate re-negotiation	
		V.32bis	
	V.32		
	V.23		
	V.22bis		
	V.22		
	V.21		
	Bell 212A		
	Bell 103J		

Technical Specifications

Type III Mini PCI 56K (V.92) Modem (continued)	Fax Mode Capabilities	TIA/EIA-578-B (Class 1)
		T.30, T.4 (Group 3)
		V.17
		V.29
		V.27ter
		V.21 Channel 2
	Command Set	V.250 (Partial)
		TIA-602
		Identification: +GMI, +GMM, +GMR
		Port control: +IPR, +ICF, +IFC, +lirr
		Modulation: +MS, +MR, +MA
		Error control: +ES, +ER, +EB, +ESR, +ETBM
		Data compression: +DS, +DR
V.251		

Technical Specifications

Integrated 10/100 NIC	NIC Device Driver Name	Intel PRO/100 P Mobile Combo Adapter
	Data Link Layers	IEEE 802.2 LLC
		SNAP
	Ethernet Features	10 Mbps Ethernet: IEEE 802.3 standard 10BASE-T
		100 Mbps Ethernet: IEEE 802.3u standard 100BASE-TX
		Full Duplex at 10 and 100Mbps
		Auto-Negotiation
		Wake on LAN from all power managed states, including soft off (S5)
		Boot on LAN from OFF
		Lower Power State on Link Loss
Software support	IBM LAN Server Version 1.2, 1.3, 2.0, 4.0	
	Microsoft Windows XP Professional and Home Editions, Microsoft NT 3.51, NT 4.0, Windows 2000	
	Novell® Netware® 3.1x, 4.x, 5.x	
Protocol support	TCP/IP	
	Novell IPX/SPX and Microsoft compatible	
	Novel IPX ODI	
	Microsoft NetBEUI	
	IBM DLC	

Compaq PCs use genuine Microsoft® Windows®

<http://www.microsoft.com/piracy/howtotell>

©2002 Compaq Information Technologies Group, L.P. All rights reserved. Compaq, the Compaq logo, and Evo are registered trademarks or trademarks of Compaq Information Technologies Group, L.P. in the U.S. and/or other countries. Microsoft, Windows, and Windows NT are registered trademarks or trademarks of Microsoft Corporation in the U.S. and/or other countries. Pentium, and the Intel Inside Logo are registered trademarks or trademarks of Intel Corporation in the U.S. and/or other countries. IBM and Microdrive are registered trademarks or trademarks of IBM Corporation in the U.S. and other countries. Novell and Netware are registered trademarks or trademarks of Novell Inc., in the U.S. and/or other countries. Bluetooth is a trademark of Bluetooth SIG, Inc., in the U.S. and other countries. BatteryMark is a trademark of Ziff Davis Publishing Holdings Inc., and affiliate of eTesting Labs Inc., in the U.S. and other countries. All other product names mentioned herein may be trademarks of their respective companies.

Compaq shall not be liable for technical or editorial errors or omissions contained herein. The information is provided "as is" without warranty of any kind and is subject to change without notice. The warranties for Compaq products are set forth in the express limited warranty statements accompanying such products. Nothing herein should be construed as constituting an additional warranty.